

Radiopharmacy Hood

Key Features

- Expandable up to six-glove negative pressure isolator/ Operator / Environment Protection.
- Extra Safety: Hood air filtered via 2 filters.
- Lead-Shielded Protection: 3mm Pb lead-shielding on hood front, sides, work zone bottom.
- Radiation proof acrylic glass with lead equivalence of 3mm.
- Microprocessor-based control and alarm system.
- Modular and easily customised with your desired device inserted in this work station.
- Quiet, energy efficient fan/motor units auto adjust to compensate for filter blockage.
- Isocide™ antimicrobial coated structure eliminates 99.9% of bacterial presence on external surfaces within 24 hours.
- Provide an EC GMP Grade A (class 100) air environment inside the hood.
- Generators are housed in a removable trolley to minimise handling and lifting.
- Material of Construction: (grade 316) 2mm stainless steel for maximum corrosion resistance.
- Comes with UPS for Emergency power back up for not less than 15 minutes.
- Ergonomic sloped front eliminates glare off the front window, and ensures operator comfort during extended usage
- Integrated Dose Calibrator Reader out and Automatic Shielded Generator Selection System

Superior Protection for Radioisotope Laboratories

The operator is protected from radiation by the lead-shielded sides, lead-shielded work zone bottom and front sliding sash. The air enters the cabinet through the front air grille, and travels through the KI-impregnated carbon filter on which radioactive iodine is adsorbed. Air then travels to the blower plenum where it is filtered by high-efficiency ULPA filters before being exhausted.



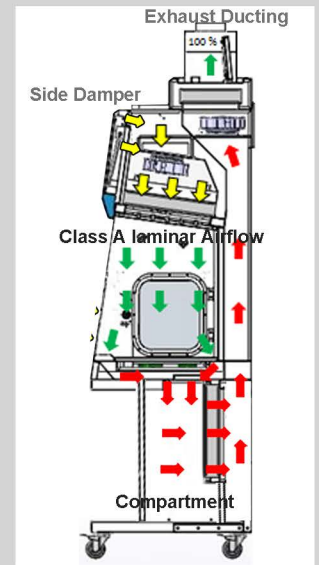
Control System



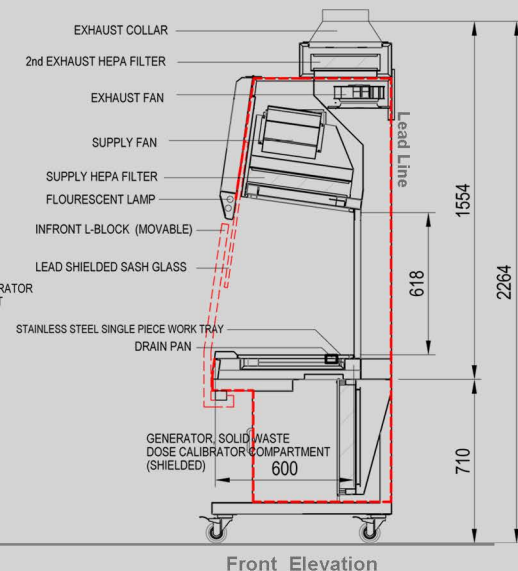
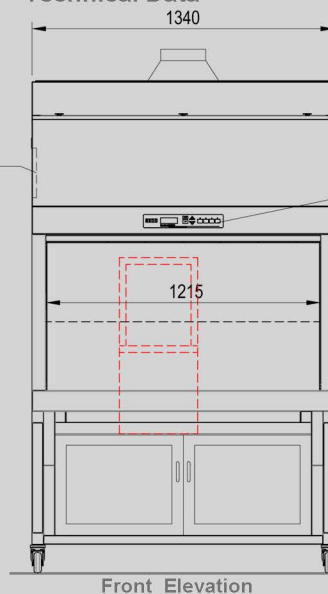
Sentinel™ Gold Microprocessor System

The Esco Sentinel™ Gold microprocessor-based control system supervises operation of all cabinet functions. Displays differential pressure drop across chamber. Displays down flow velocity (for unidirectional unit) and air changes per hour. Adjustable fan speed for maintaining required pressure. Controls fan - ON/OFF. Power socket - ON/OFF (if provided). Glove Breach velocity for negative pressure 0.7 m/s. Manual Pressure Testing. Optional UV Lighting with timer.

Airflow Diagram



Technical Data



Radiopharmacy Hood Lead Shielded Parts



Lead Shielded Work Zone



Lead Shielded Mobile Generator Compartment



Lead Shielded Front Sash Glass

Radiation Shielding Components



L-block shields features seamless SS 304 #3 brushed stainless exteriors



Shielded waste containers typically have 5,10,15,30 gallon capacity, but any capacity that you specify can be accommodated.